

## MDSTB 2,5/ 3-G1-5,08

Order No.: 1762376

The figure shows a 10-position version of the product

<http://eshop.phoenixcontact.de/phoenix/treeViewClick.do?UID=1762376>Header, nominal current: 10 A, rated voltage: 250 V, pitch: 5.08 mm,  
no. of positions: 3, mounting: Soldering

### Commercial data

EAN	4017918031008
Pack	50 Pcs.
Customs tariff	85366990
Weight/Piece	0.00661 KG
Catalog page information	Page 229 (CC-2007)

### Product notes

WEEE/RoHS-compliant since:  
01/01/2003

<http://www.download.phoenixcontact.com>  
Please note that the data given here has been taken from the online catalog. For comprehensive information and data, please refer to the user documentation. The General Terms and Conditions of Use apply to Internet downloads.

### Technical data

#### Dimensions / positions

Pitch	5.08 mm
Dimension a	10.16 mm
Number of positions	3
Pin dimensions	1 x 1 mm
Hole diameter	1.4 mm

#### Technical data

Insulating material group	I
Rated surge voltage (III/3)	4 kV
Rated surge voltage (III/2)	4 kV
Rated surge voltage (II/2)	4 kV
Rated voltage (III/2)	320 V
Rated voltage (II/2)	630 V
Connection in acc. with standard	EN-VDE
Nominal current $I_N$	10 A
Nominal voltage $U_N$	250 V
Maximum load current	10 A (per position)
Insulating material	PA
Inflammability class acc. to UL 94	V0

#### Certificates / Approvals



#### CSA

Nominal voltage $U_N$	300 V
Nominal current $I_N$	10 A

#### CUL

Nominal voltage $U_N$	300 V
Nominal current $I_N$	10 A

#### UL

Nominal voltage $U_N$	300 V
Nominal current $I_N$	10 A
Certification	CB, CSA, CUL, GOST, UL, VDE-PZI

#### Accessories

Item	Designation	Description
------	-------------	-------------

#### Assembly

1755477	MSTB-BL	Keying cap, for forming sections, plugs onto header pin, green insulating material
---------	---------	--

**Marking**

0804293	SK 5,08/3,8:FORTL.ZAHLEN	Marker card, printed horizontally, self-adhesive, 12 identical decades marked 1-10, 11-20 etc. up to 91-(99)100, sufficient for 120 terminal blocks
---------	--------------------------	---

**Plug/Adapter**

1734401	CR-MSTB	Coding section, inserted into the recess in the header or the inverted plug, red insulating material
---------	---------	--

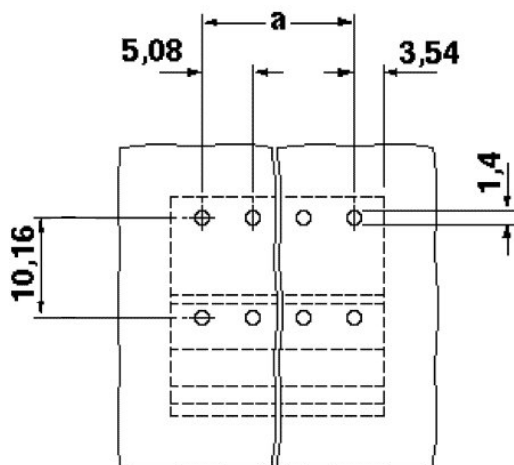
**Additional products**

Item	Designation	Description
<b>General</b>		
1872703	A-ICV 2,5/ 3-G-5,08	Header, nominal current: 12 A, rated voltage: 250 V, pitch: 5.08 mm, no. of positions: 3, mounting: Mounting rail
1873061	FKC 2,5/ 3-ST-5,08	Plug component, nominal current: 12 A, rated voltage: 250 V, pitch: 5.08 mm, no. of positions: 3, type of connection: Spring-cage connection
1902123	FKCT 2,5/ 3-ST-5,08	Plug component, nominal current: 12 A, rated voltage: 250 V, pitch: 5.08 mm, no. of positions: 3, type of connection: Spring-cage connection
1873964	FKCVR 2,5/ 3-ST-5,08	Plug component, nominal current: 12 A, rated voltage: 250 V, pitch: 5.08 mm, no. of positions: 3, type of connection: Spring-cage connection
1873663	FKCVW 2,5/ 3-ST-5,08	Plug component, nominal current: 12 A, rated voltage: 250 V, pitch: 5.08 mm, no. of positions: 3, type of connection: Spring-cage connection
1777293	FRONT-MSTB 2,5/ 3-ST-5,08	Plug component, nominal current: 12 A, rated voltage: 250 V, pitch: 5.08 mm, no. of positions: 3, type of connection: Screw connection
1786417	IC 2,5/ 3-G-5,08	Header, nominal current: 12 A, rated voltage: 320 V, pitch: 5.08 mm, number of positions: 3, mounting type: soldering
1785955	ICV 2,5/ 3-G-5,08	Header, nominal current: 12 A, rated voltage: 320 V, pitch: 5.08 mm, number of positions: 3, mounting type: soldering
1757022	MSTB 2,5/ 3-ST-5,08	Plug component, nominal current: 12 A, rated voltage: 250 V, pitch: 5.08 mm, no. of positions: 3, type of connection: Screw connection
1776168	MSTB 2,5/ 3-STZ-5,08	Plug component, nominal current: 12 A, rated voltage: 250 V, pitch: 5.08 mm, no. of positions: 3, type of connection: Screw connection
1808829	MSTBC 2,5/ 3-ST-5,08	Plug component, nominal current: 12 A, rated voltage: 320 V, pitch: 5.08 mm, no. of positions: 3, type of connection: Crimp connection

1809514	MSTBC 2,5/ 3-STZ-5,08	Plug component, nominal current: 12 A, rated voltage: 320 V, pitch: 5.08 mm, no. of positions: 3, type of connection: Crimp connection
1769023	MSTBP 2,5/ 3-ST-5,08	Plug component, nominal current: 12 A, rated voltage: 250 V, pitch: 5.08 mm, no. of positions: 3, type of connection: Screw connection
1779990	MSTBT 2,5/ 3-ST-5,08	Plug component, nominal current: 12 A, rated voltage: 250 V, pitch: 5.08 mm, no. of positions: 3, type of connection: Screw connection
1792252	MVSTBR 2,5/ 3-ST-5,08	Plug component, nominal current: 12 A, rated voltage: 250 V, pitch: 5.08 mm, no. of positions: 3, type of connection: Screw connection
1792760	MVSTBW 2,5/ 3-ST-5,08	Plug component, nominal current: 12 A, rated voltage: 250 V, pitch: 5.08 mm, no. of positions: 3, type of connection: Screw connection
1917914	QC 0,75/ 3-ST-5,08	Plug components, 5.08 mm pitch, color: green, no. of positions 3, dimension a 10.16 mm
1883268	QC 1/ 3-ST-5,08	Plug, nominal current: 10 A, rated voltage: 500 V, pitch: 5.08 mm, number of positions: 3, connection method: Insulation displacement connection QUICKON
1826296	SMSTB 2,5/ 3-ST-5,08	Plug component, nominal current: 12 A, rated voltage: 250 V, pitch: 5.08 mm, no. of positions: 3, type of connection: Screw connection
1853023	TMSTBP 2,5/ 3-ST-5,08	Plug component, nominal current: 12 A, rated voltage: 250 V, pitch: 5.08 mm, no. of positions: 3, type of connection: Screw connection

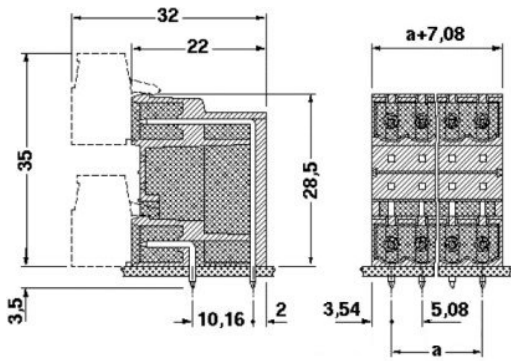
## Drawings

Drilling diagram



Dimensioned drawing

---



**Address**

PHOENIX CONTACT Inc., USA  
586 Fulling Mill Road  
Middletown, PA 17057, USA  
Phone (800) 888-7388  
Fax (717) 944-1625  
<http://www.phoenixcon.com>



© 2008 Phoenix Contact  
Technical modifications reserved;